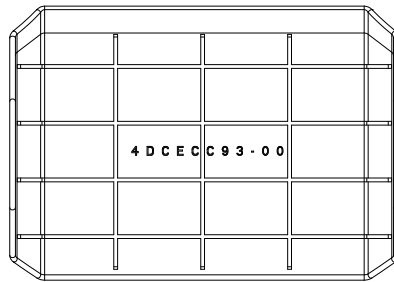
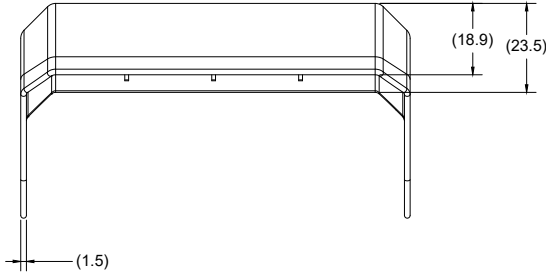
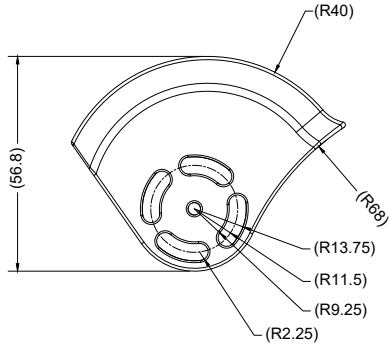
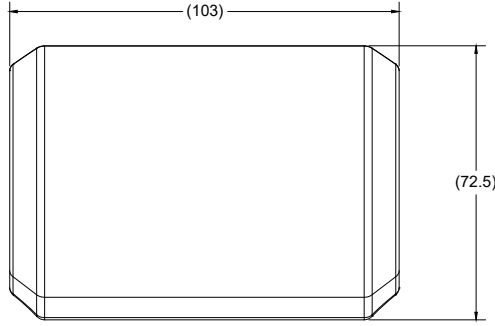
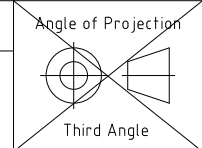


Revision Notes.				
R1 -				
APA: -	Drawn:-	Checked:-	Approved:-	Date: -



- NOTES :
- MATERIAL : ALUMINUM 1.5T (THICKNESS)
 - FINISH : BLACK

PROPRIETARY NOTICE
 THIS DESIGN AND TECHNICAL INFORMATION APPEARING ON THIS DRAWING IS THE PROPERTY OF BRIGADE ELECTRONICS, AND IS DISCLOSED IN CONFIDENCE. IT IS NOT TO BE COPIED, REPRODUCED, REVEALED TO OR EXPROPRIATED BY OTHERS, EITHER IN WHOLE OR IN PART WITHOUT THE EXPRESS WRITTEN CONSENT OF BRIGADE ELECTRONICS.



Sheet 1 of 1	Assembly Pl Approval T. CHOI 26052025	Approved by A.KEBEDE	Checked by F. ADEMUJIMI	Drawn by E. MATHEW
Customer Approval -	Angle of Projection Third Angle		Units mm	Scale N/A
		Status RELEASED	Released 27/05/2025	Assembly Ref -
		Part No 8173	BE-811XC SS	
		BE-004982-00-24		